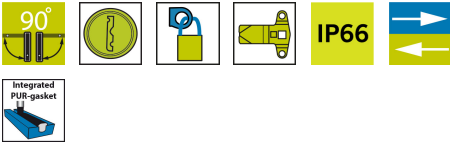


# VISION SWING HANDLE STANDARD WITH CYLINDER



Low profile swing handle with cylinder lock for cam. Supplied with two keys. Available in push-to-latch version where the spring-loaded cam latches when the handle is pushed in and PDL version where the spring-loaded padlock loop retracts when the handle is released.



## MATERIAL

**Cylinder:** Zinc die cast, stainless steel 304 cap and dust shutter

**Dish:** Zinc die cast, black coated or fibre glass reinforced polyamide (PA6GF30)

**Handle:** Zinc die cast, black coated or fibre glass reinforced polyamide (PA6GF30)

**Pivot shaft:** Zinc die cast, zinc plated

**Padlock loop:** Stainless steel 304

## RELATED PRODUCTS

**Rod guides:** 2-560, 2-570

**Rod adapters:** 2-541

**Similar products:** 1-002.01

**Rods:** 2-540, 2-541, 2-545

**Cams:** 1-008.51, 2-480

Use the Index Code at [industrilas.com](http://industrilas.com)

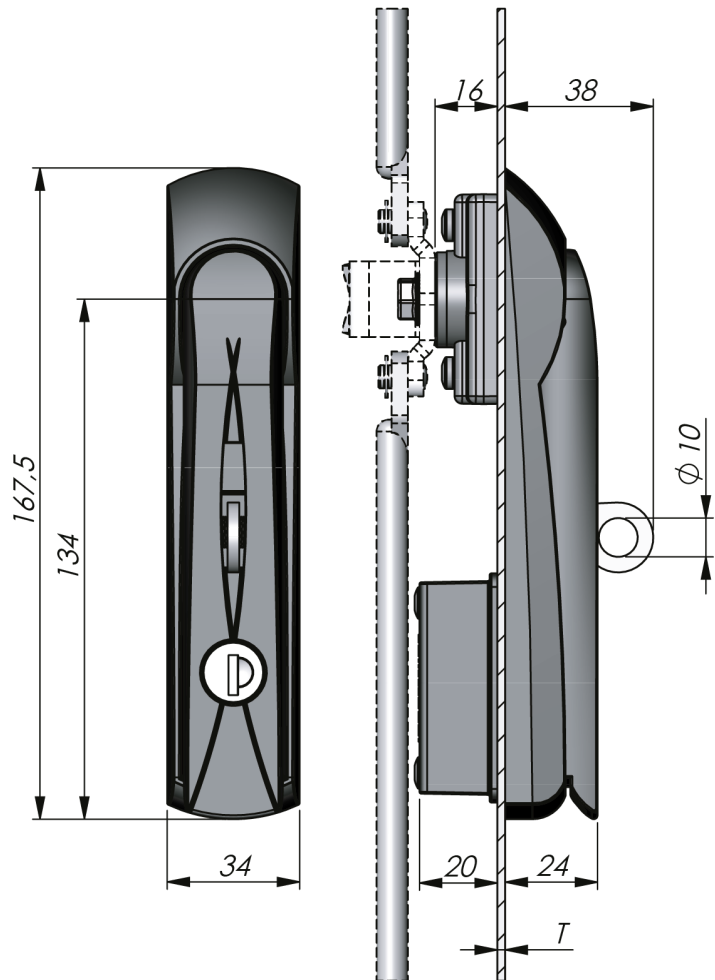
## TECHNICAL INFORMATION

**Cutout:** Version C

\* Master key system on request.

**Cylinder information:** Master key system on request, Supplied with two keys

**Standards:** IP66, NEMA 4



**Make your selections in each column to create your article number (AAAAAABCD-EEEE)**

AAAAAA Material	B Opening rotation	C Door thickness T	D PDL	EEEE Cylinder
121611 Handle zinc / dish PA6	1 90° clockwise or counter-clockwise	1 0,8 - 1,5 mm	0 No	500S No cylinder
121641 Handle zinc / dish zinc	2 90° counter-clockwise	2 1,6 - 2,5 mm	1 Yes	C21S Keyed alike IL101
125011 Handle PA6 / dish PA6	3 90° clockwise	3 2,6 - 3,5 mm		C22S Keyed to differ *
				C23S Keyed alike IL0333

Version C

